

REPORT OF UNDERWAY pCO₂ MEASUREMENTS IN SURFACE WATERS
AND THE ATMOSPHERE DURING June 2004

R/V Laurence M. Gould 05/1

S. C. Sutherland, Timothy Newberger, Taro Takahashi, and Colm Sweeney

Lamont-Doherty Earth Observatory of Columbia University
Palisades, NY 10964

21 March, 2017

Part 1 - Data Processing and Quality Control.

1. General

a) Cruise Overview

- 1) This is one of the series of of Long Term Ecological Research (LTER) cruises to the area west of the Palmer Peninsula. It includes both a north and southbound transit of Drake Passage
- 2) The data begins during Julian Day 365 of 2004, 31 December, and ends on Julian Day 36, 05 February 2005. The map in section 4 shows the track.
- 3) We have applied the revised algorithm for correcting for the time lag between water passing the remote temperature probe and arriving at our equilibrator. We move the pCO₂ data one scan earlier.

b) Data Overview

The **pCO₂** data are excellent, and except for some questionable measurements associated with fluctuations in the flow of the unknown, minimal editing was required.

The **temperature** probe in the pCO₂ system seemed to work flawlessly. The **Thermosalinograph (TSG) temperature** probe data processing algorithm has been repaired, and those data appear excellent as well. There are a few observations with no TSG temperature and salinity, associated with what appeared to be interrupted flow. This was near the arrival at Palmer Station, and the data are eliminated.

The **salinity** seems fine. Comparing TSG data with Autosal measured discrete samples yielded a difference of 0.00 ± 0.11 (N=15). The TSG salinities can be considered calibrated.

The **atmospheric pCO₂** observations were not well behaved, even when limited to times when the apparent wind was near dead ahead.

Twelve stations for XBT, TCO₂ and salinity were taken on the southbound leg.

c) Problems with the data.

1) Because of large variations in our observed air data, we use the Globalview CO₂ zonal average for the appropriate time and band to calculate the pCO₂ of air for use in calculating sea-air pCO₂ difference.

2) The salinity data required no adjustments. The average difference between autosal discrete samples and TSG salinity is 0.00 ± 0.11 (N=15).

2. Standards:

Cylinder	Concentration (ppm)
Nitrogen (UHP)	0.0
CC46457	150.19
CA02237	364.44
CC22986	252.0
CC46471	788.0
CC104439	384.075

A 4th order calibration curve is used with 5 standards, not including the Nitrogen, as described in Section 2.

Standards flow for about 120 seconds before an observation is made.

3. Details of pCO₂ data.

a) There were **14,091** individual seawater pCO₂ observations. We rejected **3**, retaining **14,088** observations.

b) During days 21 - ?? the raw millivolt value from the Licor dropped below the lowest standard. That low standard millivolt value was near 1270 while the unknown value briefly dropped below 1000. Obviously this means extrapolation using the response curve, but inspection of the response curves themselves gives confidence that this is a reasonable process.

4. Details of temperature data.

a) The temperature of water in the equilibrator is monitored continuously using a Guildline platinum resistance thermometer (readable to 0.05 °C and regularly calibrated against a mercury thermometer traceable to N.I.S.T.) and recorded on the data-logging computer. The calibration curve is integrated into the LabVIEW program that operates the system and acquires the data. The pCO₂ temperature is then a calibrated value. We make an effort to check this calibration during cruises against a mercury thermometer.

b) A linear least squares regression between the TSG temperature and the pCO₂ chamber gave a relationship as follows:

$$\text{Sea Surface Temperature} = 0.9955 \times \text{pCO}_2 \text{ Temperature} - 0.1075$$

c) The Documentation file for the TSG is attached below:

```
#####
# LMG calibration data file for sensors
#
# NOTE:
# 1. In order for these calibrations to take affect, uwint and rv_tsg
must
# be restarted. (Remember, rv_tsg has parameters.)
#
# 2. Please enter serial numbers for all sensors
#
# 3. Remember, when you check this file back into RCS, use the
# -u option. It MUST remain in /usr/local/packages/rvdas/config
#
# 4. The TSG calibration coefficients must be placed last in this file.
#
#####
# Ship - LMG or NBP
SHIP LMG
#
#####
# LM Gould radiometer calibrations
# PSP ser#:28933F3 cal date: 31 Mar, 2004
# PIR ser#:28903F3 cal date: 31 Mar, 2004
# Instrument uVolts/W/m^2
PSP 8.24
PIR 3.77
#
#####
# Instrument Vdark Calib_Factor (ser#:6393, cal date: 12/12/03)
#instrument, Probe Dark(V), Calib Factor (Dry) (V/uE/cm^2sec)
PAR 0.0007 6.05
#
#####
# Transmisometer (ser#: CST-830DR, cal date: 12/21/04)
# Vdark Vref Path
TRAN 0.061 4.692 0.25
#
#
#####
#####
#### Note, TSG calibrations must be last in this file #####
#### Do not change the formating, only the values. Thanks #####
```

```

#####
##
#***** Calibration factors for SBE 21 S/N 3208 *****
#***** Calibration Date of 15 Apr 04 *****
# currently in use
# Temperture calibration factors
%TEMPERTURE%
g 0.00413279733
h 0.000613773081
i 0.0000183900228
j 0.000000999016904
fo 1000.000
*

# conductivity calibration factors
%CONDUCTIVITY%
g -3.99106718
h 0.470945824
i -0.000354479845
j 0.0000416367449
p -0.0000000957
t 0.00000325
*

#***** Remote Temperature Probe SN #1620 *****
#***** Calibration Date of 05-May-04 *****
# external temperature calibration factors
%EXTERNAL TEMPERATURE%
g 0.00479551717
h 0.000669421709
i 0.0000302281039
j 0.00000291846677
fo 1000.000
*
#
#
#

```

5. Details of Salinity data.

a) The salinity data compares extremely well with the Autosal determinations of discrete samples. The average difference is 0.00 ± 0.11 (N=15). There is a great deal of structure in the data, but no perceptible noise. Our 9 data element running filter was used for consistency with earlier cruises, but was probably not necessary.

6. Details of the air data

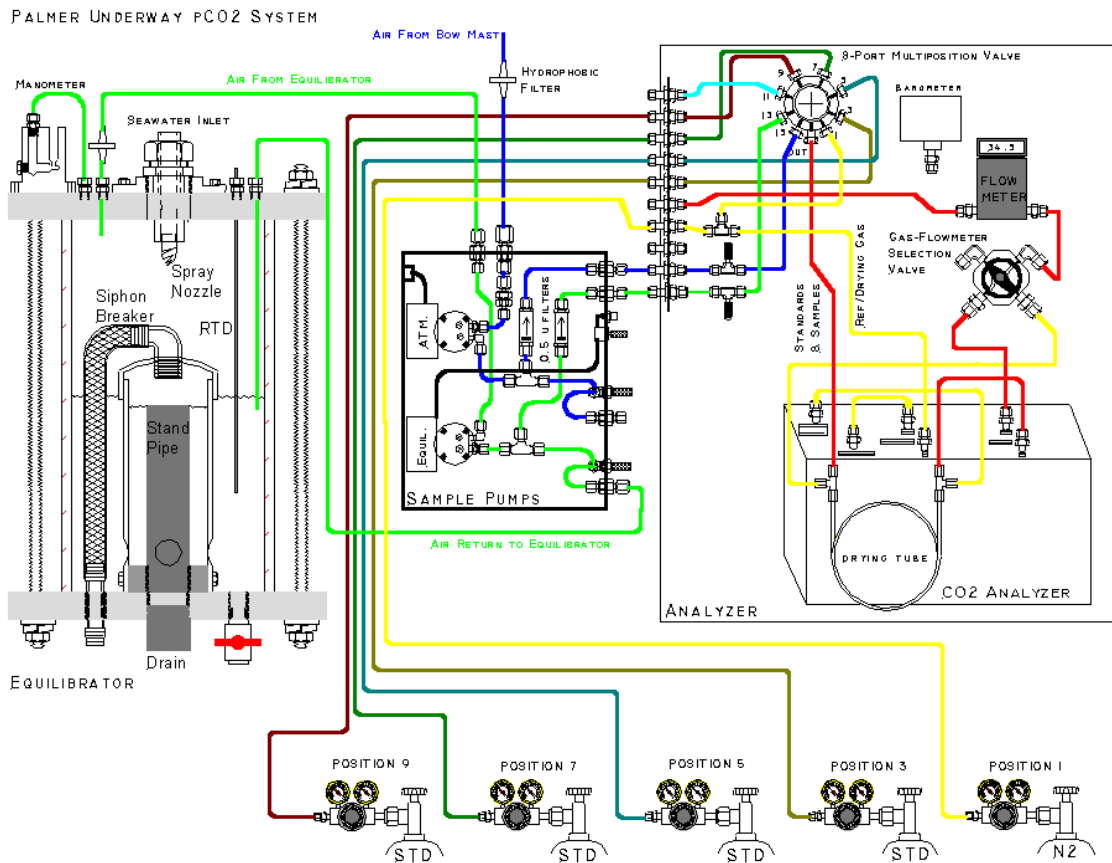
a) There is so much spiking in the air data, and the ship's speed is so variable, that the air data are not usable.

Part 2 Description of Instrumentation

a) The LDEO Underway System for Surface Water pCO₂ Measurements:

The underway pCO₂ measurement system for surface waters consists of a) a water-air equilibrator, b) an analyzer system based on a non-dispersive infra-red CO₂ gas analyzer, c) sample pumps, d) 5 calibration standards and e) a data logging system. The measurement system is schematically shown in Fig. 1, and is similar with the one described in Bates et al. (1998). Each of these units and the data reduction procedures used will be described below.

Figure 2: Diagram of the underway pCO₂ system used for surface water pCO₂ measurements during NBP04-03 which is essentially identical to the Gould System.



b) Water-air Equilibrator:

The equilibrator has a total volume of about 30 liters and is equipped with a standpipe that is isolated from the headspace and automatically maintains a constant water level at about half the height of the equilibrator leaving about 15 liters of headspace (Figure 2). Seawater from the ship's uncontaminated water line is continuously pumped into the equilibrator at a rate of about 10 liters/min, giving a mean residence time of water in the equilibrator of about 1.5 minutes. The headspace above the water serves as an equilibration chamber. A carrier gas (commonly marine air) is continuously circulated to and from the head space in a closed loop by a diaphragm pump, and exchanges CO₂ with the continuous flow of seawater sprayed into the chamber through a spiral cone spray nozzle. Because of large gas-water contact areas created by fine water droplets as well as gas bubbles in the pool of water, CO₂ equilibration between the carrier gas and seawater is achieved rapidly with a e-folding time of 2 to 3 minutes. Under normal sampling conditions, about 50 ml/min of this sea water equilibrated air is directed into the infra-red gas analyzer. The air drawn for analysis is replaced by a controlled leak into the equilibrator through the water manometer. At this rate, the residence time of the carrier gas in the equilibration chamber is about 300 minutes, that is about 100 times as long as the equilibration time. Therefore, the carrier gas in the head space should always be in equilibrium with the seawater. The over all response time of the equilibrator system has been estimated to be of an order of several minutes. The large volume of water in the equilibrator was chosen to provide a large thermal inertia in the equilibrator, so that the effects of room temperature changes on the equilibration temperature may be minimized. The temperature of water in the equilibrator is monitored continuously using a Guildline platinum resistance thermometer (readable to 0.05 °C and regularly calibrated against a mercury thermometer traceable to N.I.S.T.) and recorded on the data-logging computer.

The water manometer is attached to the gas intake end of the equilibrator (Figure 2) and provides a visual confirmation that marine air is being returned to the equilibration chamber at the same flow rate that it is being diverted to the CO₂ analyzer. The manometer also isolates the equilibrator head space from free exchange with the ambient marine air. The low head of the water manometer ensures that the equilibration chamber pressure is nearly identical to ambient atmospheric pressure. The total pressure at which the gas was equilibrated, can then be measured outside the equilibrator using a precision electronic barometer (Setra Model 270, Action, MA). This equilibration pressure is also logged on the computer.

The temperature and salinity of seawater at the *in situ* conditions were measured using a SeaBird Model SBE-21 thermosalinograph aboard the N. B. Palmer and a SIO/ODF thermosalinograph unit based on Neil Brown sensors aboard the R. Revelle. The precision of the reported temperature data has been estimated to be about 0.005 °C.

c) Infra-red CO₂ Gas Analyzer:

The equilibrated gas was passed through a water trap (to collect condensate,) and, and a reverse flow naphion dryer (PermaPure flushed with pure nitrogen gas) to remove water vapor (to a level of -20°C dewpoint), and was introduced into the IR sample cell at a rate of about 50 ml/min for CO₂ determinations. A LI-COR infra-red gas analyzer

(Model 6251, Lincoln, NB) was used. After a 2-minute purging period, the gas flow was stopped and readings were recorded on the computer. Although the CO₂ analyzer has an electronic circuit to linearize the CO₂ response, it exhibited a few inflexions that deviated from linearity by a few ppm. Therefore, the pCO₂ system has been designed to use the raw voltage output of the CO₂ analyzer to establish our own calibration curves using five standard gas mixtures (one pure nitrogen and four CO₂-air mixtures). The CO₂ concentrations in the gas mixtures were calibrated using the SIO standards determined by C. D. Keeling's group using the manometric method. The concentrations of CO₂ in the standard gas mixtures were summarized above.

During normal operations approximately every 75 minutes each of the standard gas mixtures was passed through the analyzer for 120 seconds at a rate of about 60 ml/min. This flow rate and time was redundantly sufficient to completely purge the IR analyzer cell with the new gas. The flow was stopped for 10 seconds to allow the pressure in the cell to equilibrate to atmospheric pressure and the average of 20 separate millivolt readings from the analyzer was recorded. Following the five standard gases, samples of seawater-equilibrated air and ambient marine air were pumped through the analyzer for 120 seconds (2 minutes) each at rates of about 50 ml/min and 60 ml/min respectively to purge the previous sample in the IR cell. The flow was stopped for 10 seconds and the average of 20 separate millivolt readings from the analyzer was recorded. This procedure was intended to eliminate errors due to fluctuations of the dynamic pressure within the IR cell by irregular gas flow rates. The relatively slow flow rates used for seawater-equilibrated air samples were required for the removal of water vapor using the PermaPure membrane dryer. We analyze 30 seawater-equilibrated air samples and 5 ambient marine air samples between two sets of calibration runs using the five standard gases.

d) Data Logging System:

The following values were recorded on a laptop computer. The sample locations were derived from the ships Global Positioning System (GPS). The CO₂ readings for seawater equilibrated air samples were recorded approximately every 3 minutes, and those for the standard gas mixtures approximately every 90 minutes.

Time/Date stamp (GMT),
CO₂ analyzer voltage output (to 0.1 mv)
Analyzer cell temperature (to 0.1 C)
Barometric pressure (pCO₂ system barometer) (to 0.1 mbar)
CO₂ concentration (to 0.1 ppm, preliminary value based on the last response curve)
Equilibrator temperature (to 0.01 °C)
pCO₂ (uatm, preliminary value based on the last response curve)
Gas flow rate (to 0.1 cc/min)
Selector valve position (integer)
Sample ID (standard gas cylinder numbers, seawater CO₂, atmospheric CO₂)

The ships RVDAS system adds several other data elements from various sensors and equipment including: Latitude, Longitude, Thermosalinograph temperature, thermosalinograph salinity, fluorometer voltage, wind speed, wind direction, barometric pressure (at ships instrument mast), water flow in the uncontaminated seawater line.

e) Data Reduction Procedures:

The concentration of CO₂ in the sample was computed in the following manner based on the millivolt reading and time of the reading. The millivolt reading taken for each of the five standard gases at the time of sample measurement was computed by linearly interpolating as a function of time using the readings taken before and after the respective standard gases were analyzed. This yields an interpolated millivolt reading for each of the five standard gases at the time when the sample was analyzed. These five values were fit to a fourth-order polynomial equation (with five constants to be determined). This serves as the response curve. The CO₂ concentration in the sample was computed using the response curve that was established at the time of each sample analysis. This method has been demonstrated to yield more reliable CO₂ values compared with those computed, for example, using a least-squares fit of a quadratic or cubic functions to the five calibration points. The method described above yields atmospheric CO₂ values that are consistent (within 1.5 ppm) with those reported for the South Pole and the Cape Grim by the Climate Monitoring and Diagnostics Laboratory/NOAA in Boulder, CO.

The partial pressure of CO₂ in seawater, (pCO₂)_{sw}, at the temperature of equilibration, T_{eq}, in the unit of microatmospheres (µatm) was computed using the expression:

$$(pCO_2)_{sw} @ T_{eq} = (VCO_2)_{eq} \times (P_{eq} - P_w), \dots \dots \dots [1]$$

- (VCO₂)_{eq} = the mole fraction concentration (ppm) of CO₂ in the dried equilibrated carrier gas;
- P_{eq} = the barometric pressure (that is equal to the total pressure of equilibration) in atmospheres; and
- P_w = the equilibrium water vapor pressure at T_{eq} (°C) and salinity.

The water vapor pressure was computed using the following formulation;

$$P_w \text{ (atm)} = (1/760) \times (1 - 5.368 \times 10^{-4} \times \text{Sal}) \times \text{EXP}\{[0.0039476 - (1/TK)]/1.8752 \times 10^{-4}\}, \dots \dots \dots [2]$$

where Sal is salinity on the Practical Salinity Scale and measured using the ship's thermosalinograph, and TK is the temperature of equilibration in °K.

The (pCO₂)_{sw} at the *in situ* temperature, T *in situ*, was computed using a constant value of 0.0423 % per °C for the effect of temperature (Takahashi et al., 1993):

$$(pCO_2)_{sw} @ Tin\ situ = (pCO_2)_{sw} @ Teq \times EXP[0.0423 \times (Tin\ situ - Teq)].$$

The value for *Tin situ* is taken to be the seawater temperature measured by the ship's thermosalinograph at the time of pCO_2 measurements. *Teq* is generally warmer than *Tin situ* by 0.5 ~ 0.8 °C. Hence the temperature correction is normally less than 3% of pCO_2 values.

The over all precision of the reported $(pCO_2)_{sw}$ values has been estimated to be about ± 1.5 uatm.

f) Atmospheric Measurements:

The air measurement system is also shown schematically in Fig. 1. Uncontaminated marine air samples were collected about 10 m above the sea surface using a 1/4" i.d. thin-walled aluminum tubing protected by an exterior plastic casing and an internal plastic film lining (Synflex, Calco Inc., PA). The air intake was located at the middle of the foremast about 10 m above the sea surface. A KNF Neuberger air pump located near the IR analyzer was used to pump air through the tubing and into the IR analyzer. Even when air samples were not analyzed, air was continually flowing through the sampling line to continuously purge the long Synflex tubing with fresh marine air. For analysis, the air sample was passed through a 0.5 micron filter to remove aerosols and a drying column to remove water vapor (the same PermaPure column as used for the seawater-equilibrated air) and introduced into the IR cell for CO_2 analysis at a rate of about 60 ml/min. For each sample the cell was purged for 120 seconds, the flow was stopped for 10 seconds and the average of 20 IR millivolt output readings was recorded on the computer.

g) Atmospheric Data Processing:

The partial pressure of CO_2 in the air, $(pCO_2)_{air}$, was computed in the unit of microatmospheres (μatm) in the same way as that for seawater using Eq. [3] below:

$$(pCO_2)_{air} = (V_{CO_2})_{air} \times (P_b - P_w), \dots \dots \dots [3]$$

- $(V_{CO_2})_{air}$ = the mole fraction concentration (ppm) of CO_2 in the dried air sample;
- P_b = the barometric pressure at sea surface in atmospheres; and
- P_w = the equilibrium water vapor pressure at *Tin situ* (°C) and salinity given by Eq. [2].

The precision of the atmospheric pCO_2 values have been estimated to be about ± 1 μatm .

Part 3 - References

Bates, N. R., Takahashi, T., Chipman, D. W. and Knapp, A. H. (1998). Variability of pCO₂ on diel to seasonal time scales in the Sargasso Sea. *Jour. Geophys. Res.*, 103, 15567-15585.

CO₂ Group, Lamont-Doherty Earth Observatory. (2004) "Underway pCO₂ System Users Manual", LDEO of Columbia University, Palisade, NY, pp.23.

Takahashi, T., Olafsson, J., Goddard, J., Chipman, D. W. and Sutherland, S. C., (1993). Seasonal variation of CO₂ and nutrients in the high-latitude surface oceans: A comparative study. *Global Biogeochemical Cycles*, 7, 843-878.

PART 4 - Graphics

List of Figures:

A Map showing the location of each seawater $p\text{CO}_2$ value with the data point assigned a color based on an indicated color palette.

Single 3-panel time series showing the data as a function of latitude, with the southbound and northbound legs in contrasting colors.

Ten 3-panel time series of various parameters, five each for the southbound and northbound legs.

A time series showing salinity data with editing.

A time series showing the air data with editing.

A pair of plots comparing the $V\text{CO}_2$ of dry air as observed by the LDEO system (after filtering).

Part 5 - Program Listings

These listings provide detailed documentation of processes applied to the data, including the calculation of a response curve, editing, and certain quality control operations.