

REPORT OF UNDERWAY pCO<sub>2</sub> MEASUREMENTS IN SURFACE WATERS  
AND THE ATMOSPHERE DURING August 2015

**R/V Nathaniel B. Palmer Cruise 15/8**

S. C. Sutherland, Timothy Newberger, Taro Takahashi, and Colm Sweeney  
Lamont-Doherty Earth Observatory of Columbia University  
Palisades, NY 10964

**1 December 2015**

**Part 1 - Data Processing and Quality Control.**

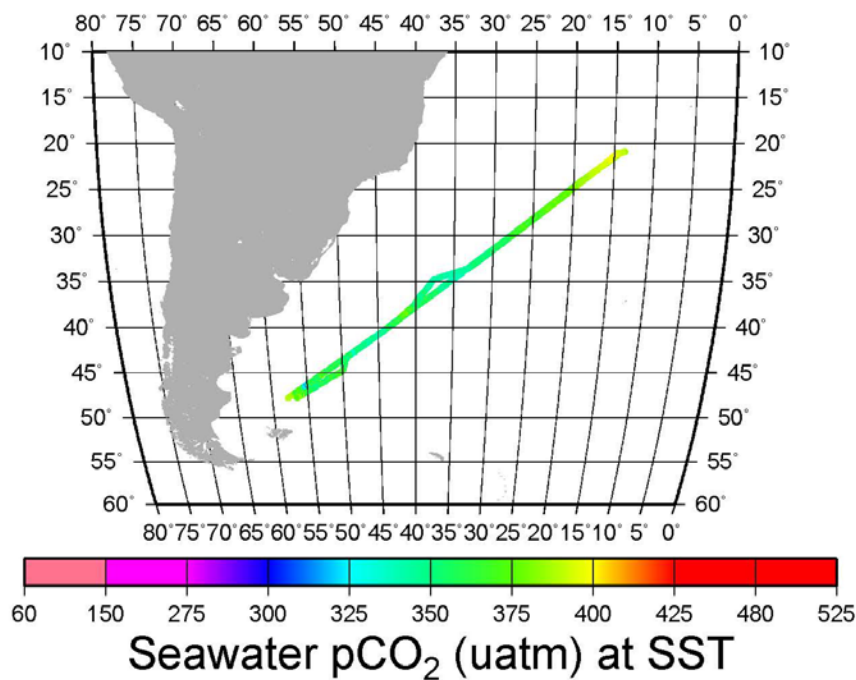
**1. General**

a) Cruise Overview

1) This cruise began at Punta Arenas on 07 September and ended on 19 October 2015.

2) This file has been processed to adjust the timing of the seawater temperature data measured with ThermoSalinoGraph (TSG) unit to the input temperature (T<sub>eq</sub>) of the pCO<sub>2</sub> equilibrator in order to account for the transit time of water from the ship's intake to the pCO<sub>2</sub> system. Offset is 2 scans.

**R/V N. B. Palmer Cruise 15/8**



## 1. b) Data Overview

The **pCO<sub>2</sub>** data are very good, only minor edits were necessary.

The external Seabird temperature sensor from the ships file is offset two scans to coincide with the equilibration temperature in time to account for the transit from the ships skin to our system.

The **salinity** seems acceptable, but is UNCALIBRATED. Comparisons with Autosal measurements on previous cruises have shown an offset of as much as 0.3 units on the Practical Salinity Scale, so the accuracy of the salinities cannot be assured. Our experience aboard L.M. Gould, which has a similar system, shows that the salinity calibration will shift as the cell becomes contaminated in the first few days after cleaning, and then remain relatively steady for the remainder of the cruise.

The LDEO **equilibration pressure** sensor is used for equilibration pressure.

The **fluorometry data (chlorophyll)** appears to be acceptable.

## 2. Standards:

Cylinder	Concentration (ppm)
Nitrogen (UHP)	0.0
CC77922	384.75
CC22986	241.31
CA07252	119.01
CA02231	402.54
CC51612	518.85

A 4<sup>th</sup> order calibration curve is used with 5 standards as described in Section 2.

Standards flow for about 120 seconds before an observation is made.

## 3. Details of pCO<sub>2</sub> data.

a) There were **13,920** individual seawater pCO<sub>2</sub> observations. We rejected **27**, leaving **13,893** valid observations.

b) The program **editpco2.prg** contains the details of the editing of these data

#### **4. Details of temperature data**

a) The temperature of water in the equilibrator is monitored continuously Seabird Model SBE38 regularly calibrated, and recorded on the data-logging computer. The calibration curve is integrated into the LabView program that operates the system and acquires the data. The pCO<sub>2</sub> temperature is then a calibrated value.

b) After multiple analyses, we have determined that the temperature in the equilibration chamber lags the external SBE 38 probe associated with the ship's thermosalinograph by one 3 second scan. This offset is built into the **editpco2.prg** program to account for this lag.

#### **5. Details of Salinity data.**

a) The salinity data are very reasonable during this cruise. We used the filtered data readings for this cruise as there was some spiking during the latter part..

b) The documentation as received does not contain the serial numbers or calibration history of the TSG instrument.

c) The salinity data is **UNCALIBRATED**. Previous cruises where Autosal comparisons were available indicated as much as 0.3 units offset on the Practical Salinity Scale. The calibration seems to shift fairly rapidly, and by the end of 3-4 days, has probably settled into its new value. Therefore, the relative values, that is the excursions, are real and the base calibration is probably stable after that point.

#### **6. Details of the air data**

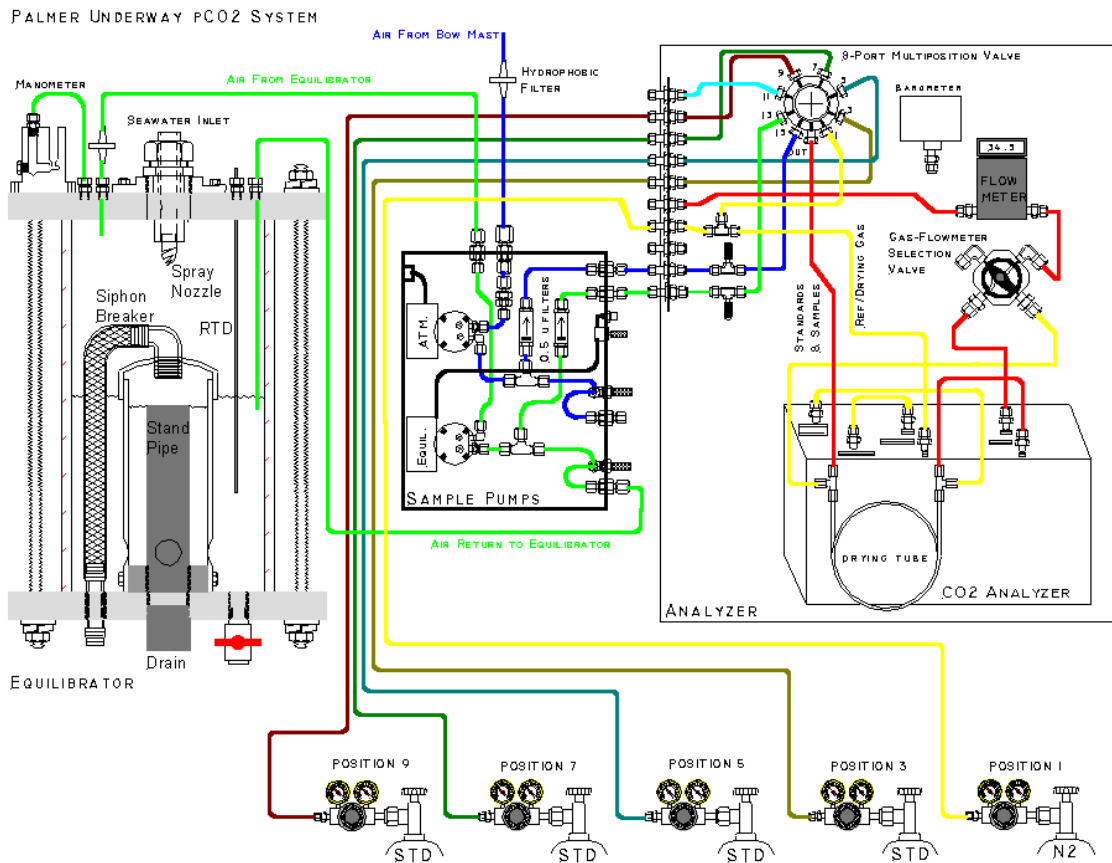
The air data is highly problematic with large excursions and very few readings which are low and consistent. The air data are essentially unusable.

## Part 2 Description of Instrumentation

### a) The LDEO Underway System for Surface Water pCO<sub>2</sub> Measurements:

The underway pCO<sub>2</sub> measurement system for surface waters consists of a) a water-air equilibrator, b) an analyzer system based on a non-dispersive infra-red CO<sub>2</sub> gas analyzer, c) sample pumps, d) 5 calibration standards and e) a data logging system. The measurement system is schematically shown in Fig. 1, and is similar with the one described in Bates et al. (1998). Each of these units and the data reduction procedures used will be described below.

Figure 2: Diagram of the underway pCO<sub>2</sub> system used for surface water pCO<sub>2</sub> measurements during NBP04-03 which is essentially identical to the Gould System.



## **b) Water-air Equilibrator:**

The equilibrator has a total volume of about 30 liters and is equipped with a standpipe that is isolated from the headspace and automatically maintains a constant water level at about half the height of the equilibrator leaving about 15 liters of headspace (Figure 2). Seawater from the ship's uncontaminated water line is continuously pumped into the equilibrator at a rate of about 10 liters/min, giving a mean residence time of water in the equilibrator of about 1.5 minutes. The headspace above the water serves as an equilibration chamber. A carrier gas (commonly marine air) is continuously circulated to and from the head space in a closed loop by a diaphragm pump, and exchanges CO<sub>2</sub> with the continuous flow of seawater sprayed into the chamber through a spiral cone spray nozzle. Because of large gas-water contact areas created by fine water droplets as well as gas bubbles in the pool of water, CO<sub>2</sub> equilibration between the carrier gas and seawater is achieved rapidly with a e-folding time of 2 to 3 minutes. Under normal sampling conditions, about 50 ml/min of this sea water equilibrated air is directed into the infra-red gas analyzer. The air drawn for analysis is replaced by a controlled leak into the equilibrator through the water manometer. At this rate, the residence time of the carrier gas in the equilibration chamber is about 300 minutes, that is about 100 times as long as the equilibration time. Therefore, the carrier gas in the head space should always be in equilibrium with the seawater. The over all response time of the equilibrator system has been estimated to be of an order of several minutes. The large volume of water in the equilibrator was chosen to provide a large thermal inertia in the equilibrator, so that the effects of room temperature changes on the equilibration temperature may be minimized. The temperature of water in the equilibrator is monitored continuously using a Guildline platinum resistance thermometer (readable to 0.05 °C and regularly calibrated against a mercury thermometer traceable to N.I.S.T.) and recorded on the data-logging computer.

The water manometer is attached to the gas intake end of the equilibrator (Figure 2) and provides a visual confirmation that marine air is being returned to the equilibration chamber at the same flow rate that it is being diverted to the CO<sub>2</sub> analyzer. The manometer also isolates the equilibrator head space from free exchange with the ambient marine air. The low head of the water manometer ensures that the equilibration chamber pressure is nearly identical to ambient atmospheric pressure. The total pressure at which the gas was equilibrated, can then be measured outside the equilibrator using a precision electronic barometer (Setra Model 270, Action, MA). This equilibration pressure is also logged on the computer.

The temperature and salinity of seawater at the *in situ* conditions were measured using a SeaBird Model SBE-21 thermosalinograph aboard the N. B. Palmer and a SIO/ODF thermosalinograph unit based on Neil Brown sensors aboard the R. Revelle. The precision of the reported temperature data has been estimated to be about 0.005 °C.

## **c) Infra-red CO<sub>2</sub> Gas Analyzer:**

The equilibrated gas was passed through a water trap (to collect condensate,) and, and a reverse flow naphion dryer (PermaPure flushed with pure nitrogen gas) to remove water vapor (to a level of -20°C dewpoint), and was introduced into the IR sample cell at a rate of about 50 ml/min for CO<sub>2</sub> determinations. A LI-COR infra-red gas analyzer

(Model 6251, Lincoln, NB) was used. After a 2-minute purging period, the gas flow was stopped and readings were recorded on the computer. Although the CO<sub>2</sub> analyzer has an electronic circuit to linearize the CO<sub>2</sub> response, it exhibited a few inflexions that deviated from linearity by a few ppm. Therefore, the pCO<sub>2</sub> system has been designed to use the raw voltage output of the CO<sub>2</sub> analyzer to establish our own calibration curves using five standard gas mixtures (one pure nitrogen and four CO<sub>2</sub>-air mixtures). The CO<sub>2</sub> concentrations in the gas mixtures were calibrated using the SIO standards determined by C. D. Keeling's group using the manometric method. The concentrations of CO<sub>2</sub> in the standard gas mixtures were summarized above.

During normal operations approximately every 75 minutes each of the standard gas mixtures was passed through the analyzer for 120 seconds at a rate of about 60 ml/min. This flow rate and time was redundantly sufficient to completely purge the IR analyzer cell with the new gas. The flow was stopped for 10 seconds to allow the pressure in the cell to equilibrate to atmospheric pressure and the average of 20 separate millivolt readings from the analyzer was recorded. Following the five standard gases, samples of seawater-equilibrated air and ambient marine air were pumped through the analyzer for 120 seconds (2 minutes) each at rates of about 50 ml/min and 60 ml/min respectively to purge the previous sample in the IR cell. The flow was stopped for 10 seconds and the average of 20 separate millivolt readings from the analyzer was recorded. This procedure was intended to eliminate errors due to fluctuations of the dynamic pressure within the IR cell by irregular gas flow rates. The relatively slow flow rates used for seawater-equilibrated air samples were required for the removal of water vapor using the PermaPure membrane dryer. We analyze 30 seawater-equilibrated air samples and 5 ambient marine air samples between two sets of calibration runs using the five standard gases.

#### **d) Data Logging System:**

The following values were recorded on a laptop computer. The sample locations were derived from the ships Global Positioning System (GPS). The CO<sub>2</sub> readings for seawater equilibrated air samples were recorded approximately every 3 minutes, and those for the standard gas mixtures approximately every 90 minutes.

Time/Date stamp (GMT),  
CO<sub>2</sub> analyzer voltage output (to 0.1 mv)  
Analyzer cell temperature (to 0.1 C)  
Barometric pressure (pCO<sub>2</sub> system barometer) (to 0.1 mbar)  
CO<sub>2</sub> concentration (to 0.1 ppm, preliminary value based on the last response curve)  
Equilibrator temperature (to 0.01 °C)  
pCO<sub>2</sub> (uatm, preliminary value based on the last response curve)  
Gas flow rate (to 0.1 cc/min)  
Selector valve position (integer)  
Sample ID (standard gas cylinder numbers, seawater CO<sub>2</sub>, atmospheric CO<sub>2</sub>)

The ships RVDAS system adds several other data elements from various sensors and equipment including: Latitude, Longitude, Thermosalinograph temperature, thermosalinograph salinity, fluorometer voltage, wind speed, wind direction, barometric pressure (at ships instrument mast), water flow in the uncontaminated seawater line.

**e) Data Reduction Procedures:**

The concentration of CO<sub>2</sub> in the sample was computed in the following manner based on the millivolt reading and time of the reading. The millivolt reading taken for each of the five standard gases at the time of sample measurement was computed by linearly interpolating as a function of time using the readings taken before and after the respective standard gases were analyzed. This yields an interpolated millivolt reading for each of the five standard gases at the time when the sample was analyzed. These five values were fit to a fourth-order polynomial equation (with five constants to be determined). This serves as the response curve. The CO<sub>2</sub> concentration in the sample was computed using the response curve that was established at the time of each sample analysis. This method has been demonstrated to yield more reliable CO<sub>2</sub> values compared with those computed, for example, using a least-squares fit of a quadratic or cubic functions to the five calibration points. The method described above yields atmospheric CO<sub>2</sub> values that are consistent (within 1.5 ppm) with those reported for the South Pole and the Cape Grim by the Climate Monitoring and Diagnostics Laboratory/NOAA in Boulder, CO.

The partial pressure of CO<sub>2</sub> in seawater, (pCO<sub>2</sub>)<sub>sw</sub>, at the temperature of equilibration, T<sub>eq</sub>, in the unit of microatmospheres (µatm) was computed using the expression:

$$(pCO_2)_{sw} @ T_{eq} = (VCO_2)_{eq} \times (P_{eq} - P_w), \dots \dots \dots [1]$$

- (VCO<sub>2</sub>)<sub>eq</sub> = the mole fraction concentration (ppm) of CO<sub>2</sub> in the dried equilibrated carrier gas;
- P<sub>eq</sub> = the barometric pressure (that is equal to the total pressure of equilibration) in atmospheres; and
- P<sub>w</sub> = the equilibrium water vapor pressure at T<sub>eq</sub> (°C) and salinity.

The water vapor pressure was computed using the following formulation;

$$P_w \text{ (atm)} = (1/760) \times (1 - 5.368 \times 10^{-4} \times \text{Sal}) \times \text{EXP}\{[0.0039476 - (1/TK)]/1.8752 \times 10^{-4}\}, \dots \dots \dots [2]$$

where Sal is salinity on the Practical Salinity Scale and measured using the ship's thermosalinograph, and TK is the temperature of equilibration in °K.

The (pCO<sub>2</sub>)<sub>sw</sub> at the *in situ* temperature, T *in situ*, was computed using a constant value of 0.0423 % per °C for the effect of temperature (Takahashi et al., 1993):

$$(pCO_2)_{sw} @ Tin\ situ = (pCO_2)_{sw} @ Teq \times EXP[0.0423 \times (Tin-situ - Teq)].$$

The value for *Tin situ* is taken to be the seawater temperature measured by the ship's thermosalinograph at the time of  $pCO_2$  measurements. *Teq* is generally warmer than *Tin-situ* by 0.5 ~ 0.8 °C. Hence the temperature correction is normally less than 3% of  $pCO_2$  values.

The over all precision of the reported  $(pCO_2)_{sw}$  values has been estimated to be about  $\pm 1.5$  uatm.

**f) Atmospheric Measurements:**

The air measurement system is also shown schematically in Fig. 1. Uncontaminated marine air samples were collected about 10 m above the sea surface using a 1/4" i.d. thin-walled aluminum tubing protected by an exterior plastic casing and an internal plastic film lining (Synflex, Calco Inc., PA). The air intake was located at the middle of the foremast about 10 m above the sea surface. A KNF Neuberger air pump located near the IR analyzer was used to pump air through the tubing and into the IR analyzer. Even when air samples were not analyzed, air was continually flowing through the sampling line to continuously purge the long Synflex tubing with fresh marine air. For analysis, the air sample was passed through a 0.5 micron filter to remove aerosols and a drying column to remove water vapor (the same PermaPure column as used for the seawater-equilibrated air) and introduced into the IR cell for  $CO_2$  analysis at a rate of about 60 ml/min. For each sample the cell was purged for 120 seconds, the flow was stopped for 10 seconds and the average of 20 IR millivolt output readings was recorded on the computer.

**g) Atmospheric Data Processing:**

The partial pressure of  $CO_2$  in the air,  $(pCO_2)_{air}$ , was computed in the unit of microatmospheres ( $\mu atm$ ) in the same way as that for seawater using Eq. [3] below:

$$(pCO_2)_{air} = (V_{CO_2})_{air} \times (P_b - P_w), \dots \dots \dots [3]$$

- $(V_{CO_2})_{air}$  = the mole fraction concentration (ppm) of  $CO_2$  in the dried air sample;
- $P_b$  = the barometric pressure at sea surface in atmospheres; and
- $P_w$  = the equilibrium water vapor pressure at *Tin situ* (°C) and salinity given by Eq. [2].

The precision of the atmospheric  $pCO_2$  values have been estimated to be about  $\pm 1$   $\mu atm$ .



### **Part 3 - References**

Bates, N. R., Takahashi, T., Chipman, D. W. and Knapp, A. H. (1998). Variability of pCO<sub>2</sub> on diel to seasonal time scales in the Sargasso Sea. *Jour. Geophys. Res.*, 103, 15567-15585.

CO<sub>2</sub> Group, Lamont-Doherty Earth Observatory. (2004) "Underway pCO<sub>2</sub> System Users Manual", LDEO of Columbia University, Palisade, NY, pp.23.

Takahashi, T., Olafsson, J., Goddard, J., Chipman, D. W. and Sutherland, S. C., (1993). Seasonal variation of CO<sub>2</sub> and nutrients in the high-latitude surface oceans: A comparative study. *Global Biogeochemical Cycles*, 7, 843-878.

## **PART 4 - Graphics**

List of Figures:

Maps showing the location of each seawater pCO<sub>2</sub> and sea surface temperature value with the data point assigned a color based on an indicated color palette.

3-panel time series of various parameters.

A time series showing salinity data with editing.

A plot of thermosalinograph temperature VS pCO<sub>2</sub> system temperature.

A plot of response curves, with standard concentrations VS Licor millivolts.

## **Part 5 - Program Listings**

**These listings provide detailed documentation of processes applied to the data, including the calculation of a response curve, editing, and certain quality control operations.**