

LDEO LADCP BATTERY CASE WIRING

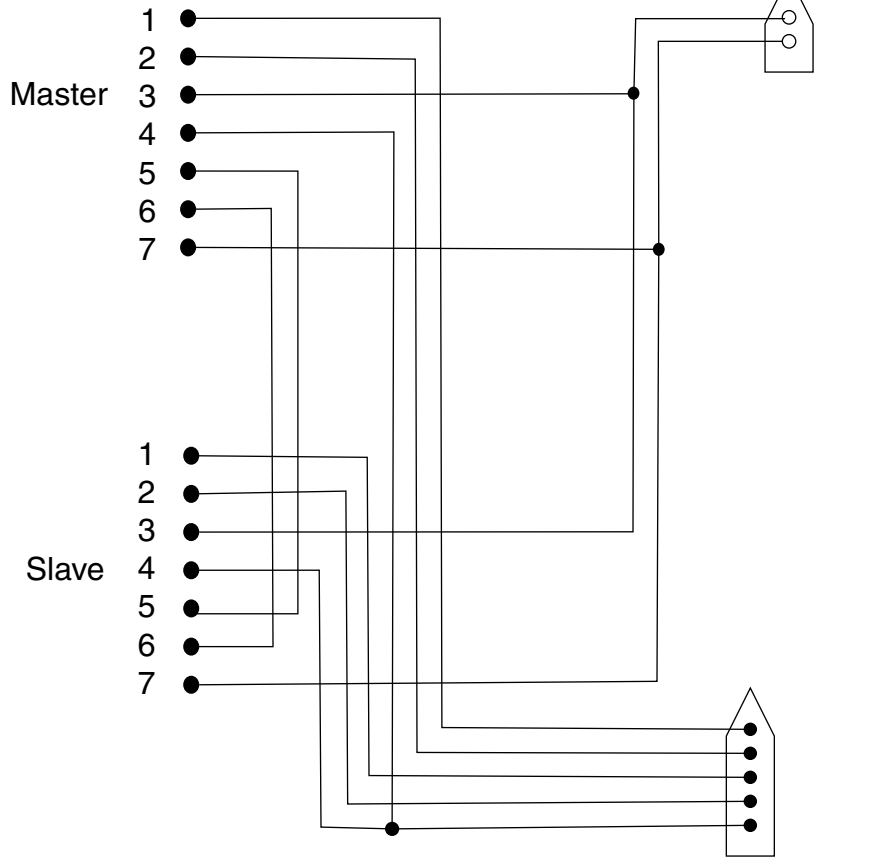
Notes: Battery:
 35 alkaline D cells
 in series, 5 stacks of
 7 cells; 470 Wh nom.
 at 0 C.

Vendor: Battery Assemblers, Inc.
 645 Hickman Cir
 Sanford, FL 32771
 Tel: 407-323-3390

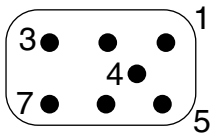
Fuse ass'y not shown.

BOTTOM

2 ea LPMBH-7-FS



Impulse LPMBH-7

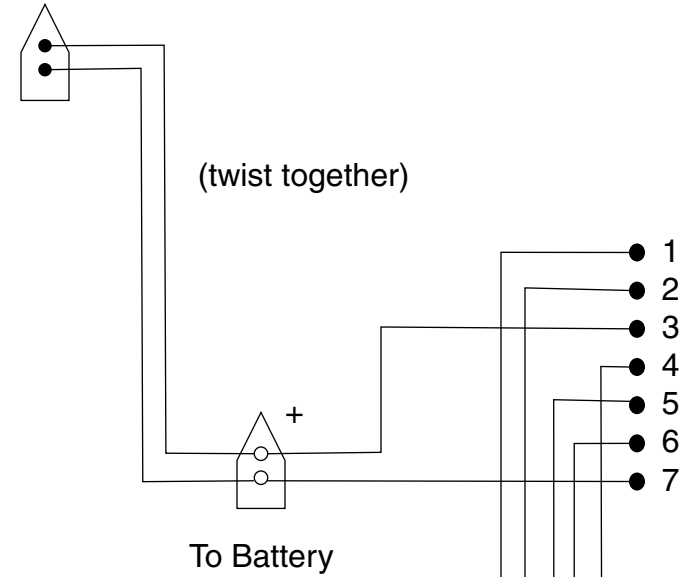


MOLEX
03 06 1056

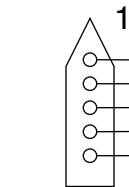
TOP

1 ea LPMBH-7-MP

MOLEX
03-06-1023



To Battery



MOLEX
03 06 2055




Lamont-Doherty
Earth Observatory
of Columbia University

711009